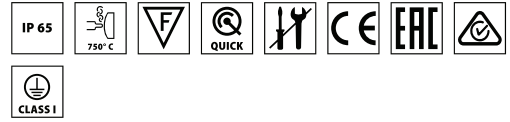


NORMA+ PRO

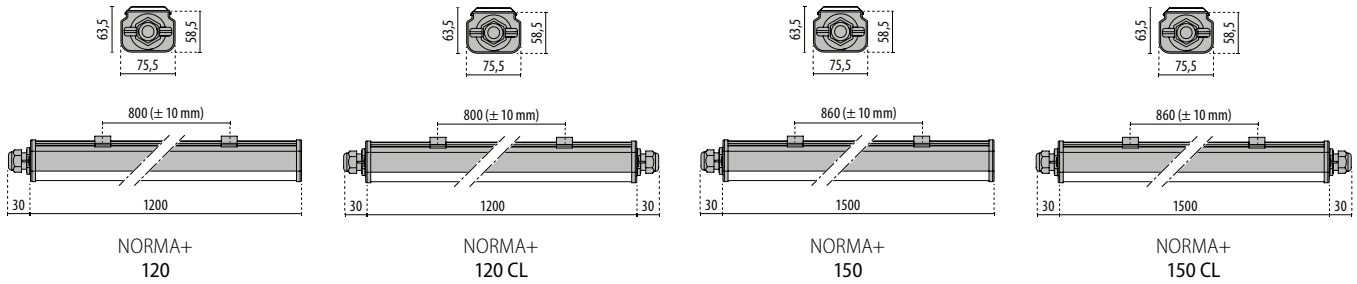
design by PERFORMANCE IN LIGHTING



● GR-RAL7035 / Grey RAL7035 / Matt

Weatherproof LED luminaire, comprising:

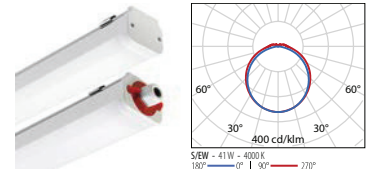
- Real lumen output led source with an effective >140 lm/W
- UV stabilised co-extruded polycarbonate body with double finish; satin-finish for the optical compartment and matte finish for the auxiliary electrical compartment.
- Technopolymer end caps
- Anti-ageing silicone gasket
- Tool-less bayonet opening polycarbonate cap for power connection
- Cable gland M20x1.5 for cables Ø 10- Ø 14 mm
- Aluminium heat sink
- Stainless steel springs for quick installation
- The CL (Continuous Line) versions are suitable for through wiring continuous line installations (5x2,5 mm²)
- DALI and 1/10V dimmable versions or with 1-hour emergency device available. Consult factory
- Photometric data measure according to UNI EN 13032-4 and IES LM-79-08



NORMA+ PRO 120

IK09 15J xx7

WATTAGE	CLASS	CRI	KELVIN	COS Ø	OPTIC	OPTIC BEAM	LIGHTS SOURCE LUMEN OUTPUT	LUMINAIRE LUMEN OUTPUT	L	B	LIFETIME	COLOUR/RAL	LENGTH	PART NUMBER
41 W	I	-	80	4000	✓	S/EW	-	6795 lm	5819 lm	80	10	44000 h	● 1260 mm	3109343



NORMA+ PRO 150

IK09 15J xx7

WATTAGE	CLASS	CRI	KELVIN	COS Ø	OPTIC	OPTIC BEAM	LIGHTS SOURCE LUMEN OUTPUT	LUMINAIRE LUMEN OUTPUT	L	B	LIFETIME	COLOUR/RAL	LENGTH	PART NUMBER
55 W	I	-	80	4000	✓	S/EW	-	9060 lm	7808 lm	80	10	44000 h	● 1560 mm	3109345



NORMA+ PRO 120 CL

IK09 15J xx7

WATTAGE	CLASS	CRI	KELVIN	COS Ø	OPTIC	OPTIC BEAM	LIGHTS SOURCE LUMEN OUTPUT	LUMINAIRE LUMEN OUTPUT	L	B	LIFETIME	COLOUR/RAL	LENGTH	PART NUMBER
41 W	I	-	80	4000	✓	S/EW	-	6795 lm	5819 lm	80	10	44000 h	● 1260 mm	3109344



NORMA+ PRO 150 CL

IK09 15J xx7

WATTAGE	CLASS	CRI	KELVIN	COS Ø	OPTIC	OPTIC BEAM	LIGHTS SOURCE LUMEN OUTPUT	LUMINAIRE LUMEN OUTPUT	L	B	LIFETIME	COLOUR/RAL	LENGTH	PART NUMBER
55 W	I	-	80	4000	✓	S/EW	-	9060 lm	7808 lm	80	10	44000 h	● 1560 mm	3109427



NORMA+

design by PERFORMANCE IN LIGHTING



● GR-RAL7035 / Grey RAL7035 / Matt

Weatherproof LED luminaire, comprising:

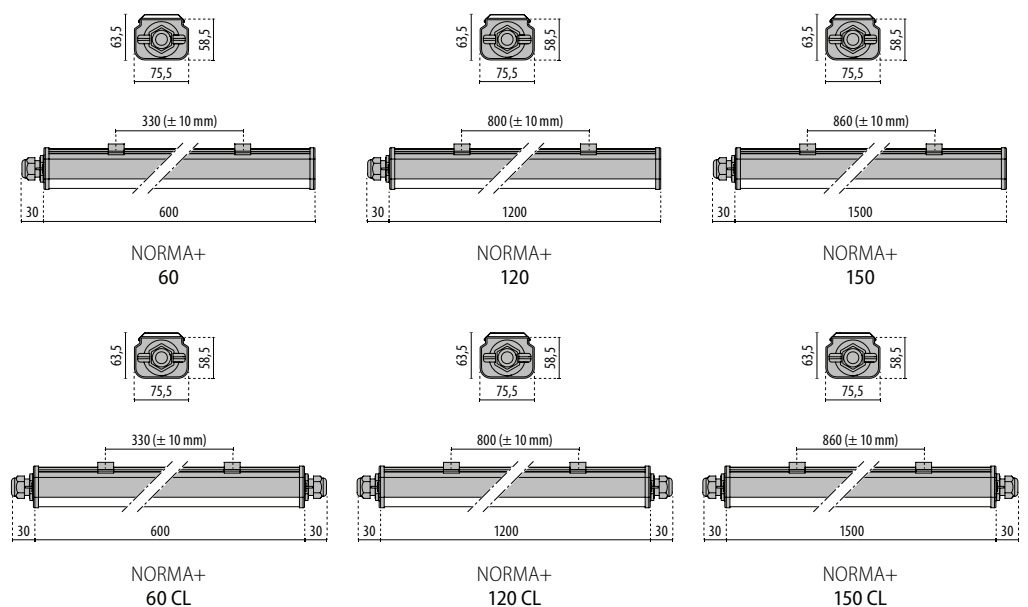
- UV stabilised co-extruded polycarbonate body with double finish; satin-finish for the optical compartment and matte finish for the auxiliary electrical compartment.
- Technopolymer end caps
- Anti-ageing silicone gasket
- Tool-less bayonet opening polycarbonate cap for power connection
- Cable gland M20x1.5 for cables Ø 10- Ø 14 mm
- Aluminium heat sink
- Stainless steel springs for quick installation
- The CL (Continuous Line) versions are suitable for through wiring continuous line installations (5x2,5 mm²)
- EM versions are complete with emergency device that can operate on battery for 1 hour. Product can be used for general or emergency lighting
- Versions with dimmable 1-10 V or DALI drivers available. Consult factory
- Photometric data measure according to UNI EN 13032-4 and IES LM-79-08



Palaleonessa - Brescia - Italy



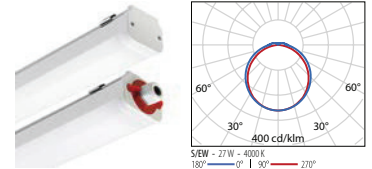
pg 382
GRILLE PROTECT



NORMA+ 60

IK09 15J xx7

WATTAGE	CLASS	CEC	CRI	KELVIN	COS θ ≥ 0.9	OPTIC	OPTIC BEAM	LIGHTSOURCE LUMEN OUTPUT	LUMINAIRE LUMEN OUTPUT	L	B	LIFETIME	COLOUR/ RAL	LENGTH	PART NUMBER
Power LED 220-240 V 50/60 Hz															
27 W	I	-	80	4000	✓	S/EW	-	4077 lm	3258 lm	80	10	44000 h	●	630 mm	305949
18 W	I	-	80	4000	✓	S/EW	-	2718 lm	2246 lm	80	10	44000 h	●	630 mm	305948



NORMA+ 120

IK09 15J xx7

WATTAGE	CLASS	CEC	CRI	KELVIN	COS θ ≥ 0.9	OPTIC	OPTIC BEAM	LIGHTSOURCE LUMEN OUTPUT	LUMINAIRE LUMEN OUTPUT	L	B	LIFETIME	COLOUR/ RAL	LENGTH	PART NUMBER
Power LED 220-240 V 50/60 Hz															
45 W	I	-	80	4000	✓	S/EW	-	6795 lm	5215 lm	80	10	44000 h	●	1230 mm	305952
34 W	I	-	80	4000	✓	S/EW	-	5134 lm	3932 lm	80	10	44000 h	●	1230 mm	305951
25 W	I	-	80	4000	✓	S/EW	-	3775 lm	3002 lm	80	10	44000 h	●	1230 mm	305950

NORMA+ 150

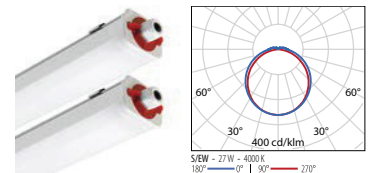
IK09 15J xx7

WATTAGE	CLASS	CEC	CRI	KELVIN	COS θ ≥ 0.9	OPTIC	OPTIC BEAM	LIGHTSOURCE LUMEN OUTPUT	LUMINAIRE LUMEN OUTPUT	L	B	LIFETIME	COLOUR/ RAL	LENGTH	PART NUMBER
Power LED 220-240 V 50/60 Hz															
60 W	I	-	80	4000	✓	S/EW	-	9060 lm	7556 lm	80	10	44000 h	●	1530 mm	305954

NORMA+ 60 CL

IK09 15J xx7

WATTAGE	CLASS	CEC	CRI	KELVIN	COS θ ≥ 0.9	OPTIC	OPTIC BEAM	LIGHTSOURCE LUMEN OUTPUT	LUMINAIRE LUMEN OUTPUT	L	B	LIFETIME	COLOUR/ RAL	LENGTH	PART NUMBER
Power LED 220-240 V 50/60 Hz															
27 W	I	-	80	4000	✓	S/EW	-	4077 lm	3258 lm	80	10	44000 h	●	660 mm	305941
18 W	I	-	80	4000	✓	S/EW	-	2718 lm	2246 lm	80	10	44000 h	●	660 mm	305940



Power LED - dimmable DALI 220-240 V 50/60 Hz

27 W	I	-	80	4000	✓	S/EW	-	4077 lm	3258 lm	80	10	44000 h	●	660 mm	305989
18 W	I	-	80	4000	✓	S/EW	-	2718 lm	2246 lm	80	10	44000 h	●	660 mm	305988

Power LED dimmable 1-10 V 220-240 V 50/60 Hz

27 W	I	-	80	4000	✓	S/EW	-	4077 lm	3258 lm	80	10	44000 h	●	660 mm	306160
18 W	I	-	80	4000	✓	S/EW	-	2718 lm	2246 lm	80	10	44000 h	●	660 mm	306159

NORMA+ 120 CL

IK09 15J xx7

WATTAGE	CLASS	CEC	CRI	KELVIN	COS θ ≥ 0.9	OPTIC	OPTIC BEAM	LIGHTSOURCE LUMEN OUTPUT	LUMINAIRE LUMEN OUTPUT	L	B	LIFETIME	COLOUR/ RAL	LENGTH	PART NUMBER
Power LED 220-240 V 50/60 Hz															
45 W	I	-	80	4000	✓	S/EW	-	6795 lm	5215 lm	80	10	44000 h	●	1260 mm	305944
34 W	I	-	80	4000	✓	S/EW	-	5134 lm	3932 lm	80	10	44000 h	●	1260 mm	305943
25 W	I	-	80	4000	✓	S/EW	-	3775 lm	3002 lm	80	10	44000 h	●	1260 mm	305942

Power LED - dimmable DALI 220-240 V 50/60 Hz

45 W	I	-	80	4000	✓	S/EW	-	6795 lm	5215 lm	80	10	44000 h	●	1260 mm	305992
34 W	I	-	80	4000	✓	S/EW	-	5134 lm	3932 lm	80	10	44000 h	●	1260 mm	305991
25 W	I	-	80	4000	✓	S/EW	-	3775 lm	2898 lm	80	10	44000 h	●	1260 mm	305990

Power LED dimmable 1-10 V 220-240 V 50/60 Hz

45 W	I	-	80	4000	✓	S/EW	-	6795 lm	5215 lm	80	10	44000 h	●	1260 mm	306163
34 W	I	-	80	4000	✓	S/EW	-	5134 lm	3932 lm	80	10	44000 h	●	1260 mm	306162
25 W	I	-	80	4000	✓	S/EW	-	3775 lm	3002 lm	80	10	44000 h	●	1260 mm	306161

Power LED - emergency 1h - 220-240 V 50/60 Hz

45 W	I	-	80	4000	✓	S/EW	-	6795 lm	5215 lm	80	10	44000 h	●	1260 mm	306000
34 W	I	-	80	4000	✓	S/EW	-	5134 lm	3932 lm	80	10	44000 h	●	1260 mm	305999
25 W	I	-	80	4000	✓	S/EW	-	3775 lm	3002 lm	80	10	44000 h	●	1260 mm	305998

NORMA+ 150 CL

IK09 15J xx7

WATTAGE	CLASS	CRI	KELVIN	COS θ $\geq 0,9$	OPTIC	OPTIC BEAM	LIGHTSOURCE LUMEN OUTPUT	LUMINAIRE LUMEN OUTPUT	L	B	LIFETIME	COLOUR/ RAL	LENGTH	PART NUMBER	
Power LED 220-240 V 50/60 Hz															
68 W	I	-	80	4000	✓	S/EW	-	10268 lm	8395 lm	80	10	44000 h	●	1560 mm	305947
60 W	I	-	80	4000	✓	S/EW	-	9060 lm	7556 lm	80	10	44000 h	●	1560 mm	305946
35 W	I	-	80	4000	✓	S/EW	-	5285 lm	4355 lm	80	10	44000 h	●	1560 mm	305945
Power LED - dimmable DALI 220-240 V 50/60 Hz															
68 W	I	-	80	4000	✓	S/EW	-	10268 lm	8395 lm	80	10	44000 h	●	1560 mm	305995
60 W	I	-	80	4000	✓	S/EW	-	9060 lm	7556 lm	80	10	44000 h	●	1560 mm	305994
35 W	I	-	80	4000	✓	S/EW	-	5285 lm	4355 lm	80	10	44000 h	●	1560 mm	305993
Power LED dimmable 1-10 V 220-240 V 50/60 Hz															
68 W	I	-	80	4000	✓	S/EW	-	10268 lm	8395 lm	80	10	44000 h	●	1560 mm	306166
60 W	I	-	80	4000	✓	S/EW	-	9060 lm	7556 lm	80	10	44000 h	●	1560 mm	306165
35 W	I	-	80	4000	✓	S/EW	-	5285 lm	4355 lm	80	10	44000 h	●	1560 mm	306164
Power LED - emergency 1h - 220-240 V 50/60 Hz															
68 W	I	-	80	4000	✓	S/EW	-	10268 lm	8395 lm	80	10	44000 h	●	1560 mm	306003
60 W	I	-	80	4000	✓	S/EW	-	9060 lm	7556 lm	80	10	44000 h	●	1560 mm	306002
35 W	I	-	80	4000	✓	S/EW	-	5285 lm	4355 lm	80	10	44000 h	●	1560 mm	306001

